

# ENERGIX ADP

## FREE-STANDING AGITATOR DISPERSER

ENERGIX ADP floor-mounted agitators dispersers are machines for low density and low viscosity liquid products mixing, engineered and manufactured to work in difficult industrial conditions. They are sturdy and easy to maintain thanks to high quality and reliable components.



## TECHNICAL FEATURES

- Highly resistant supporting structure in carbon steel with anti-vibration stabilizer reinforcements
- Fixed to the ground with a self-supporting foot
- Electro-welded steel head mounted on ground and chromed guide rods
- Hydraulic lifting by means of an electric pump incorporated in the control unit
- AISI 304 stainless steel mixing shaft
- Ascent stop with mechanical stop and safety device with adjustable valve
- Lenard-type Turbine impeller or AISI 304 stainless steel Cowles-type notched dispersion impeller
- Adjustable impeller height with head gliding during mixing
- Vessel locking system:
  - **fast clamping**, characterized by easy entering of the vessel, fast locking and high resistance to lateral loads. Manual locking clamps with safety micro-contact for machine start only when the container is blocked
  - **adjustable belt**, characterized by a support with adjustable saddles and tensioning ratchet. Possibility of fixing containers with different diameters
  - **double centering arm**, characterized by fork opening of the arms with automatic centering of the vessel under the dispersion impeller while the support saddles facilitate the correct positioning of the vessel. The worm screw with increased thread guarantees an easy opening and closing of the locking. High resistance to lateral loads. Possibility of fixing vessels with different diameters
- Control panel complete with electric buttons, light lamps, speed variation control and tachometer
- Electronic speed variation with inverter
- ATEX version

## ACCESSORIES

- AISI 304 stainless steel Turbo-type toothed impeller
- Motorized lifting group
- Temperatura control probe
- Working cycle timer

## INDUSTRY 4.0 OPTIONAL

- Internal PLC
- Intuitive touch interface for the operator
- Ethernet connections
- Wi-Fi operator control panel
- Router for remote assistance
- Latest generation MISURA software:
  - Preventive maintenance indicators
  - OEE (Overall Equipment Effectiveness) indicators
  - Panel with digital pointers
  - Software interface with customer ERP

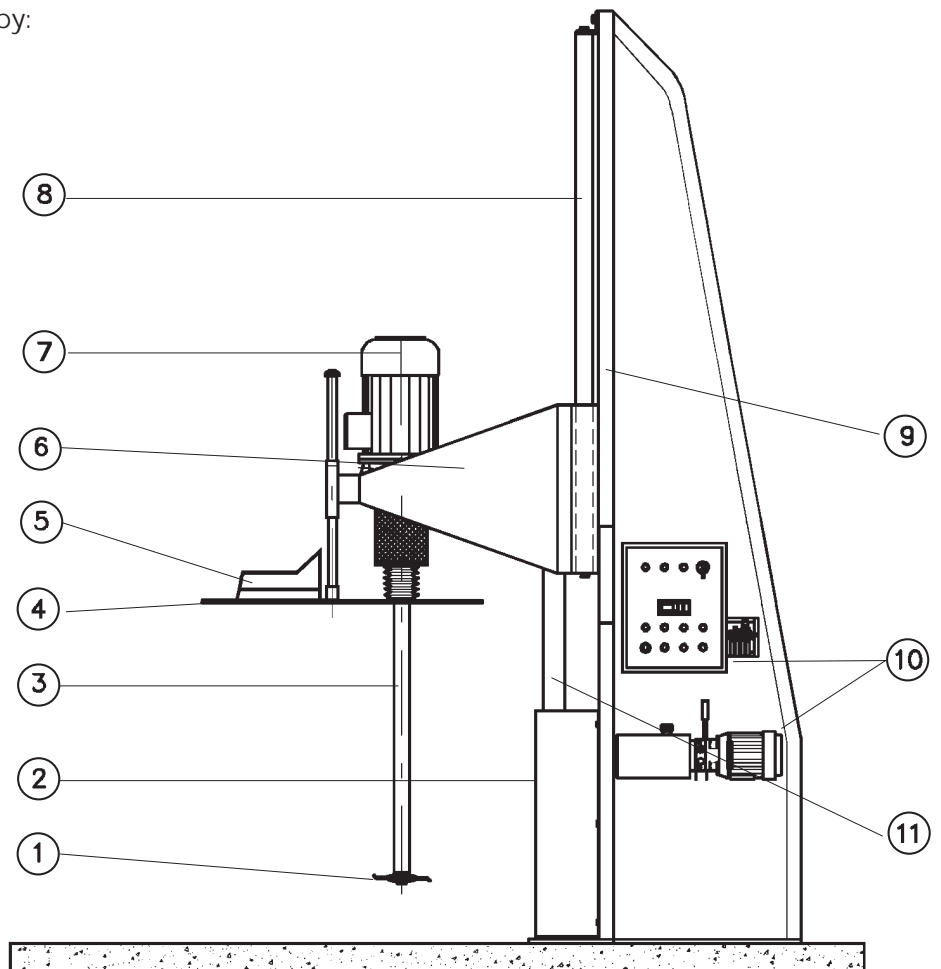


## CONFIGURATIONS

| Model     | Single shaft | Flat lid F for dust and vapor | Flat lid F for dust and vapor with impeller gliding G |
|-----------|--------------|-------------------------------|---|
| Model F   | X            | X                             |   |
| Model F-G | X            |                               | X   |

The machine is mainly composed by:

- 1 impeller
- 2 guard
- 3 agitator shaft
- 4 lid
- 5 loading month
- 6 head
- 7 electric motor
- 8 guide columns
- 9 attachment tie-rods
- 10 frame
- 11 electrical system
- 12 lifting piston

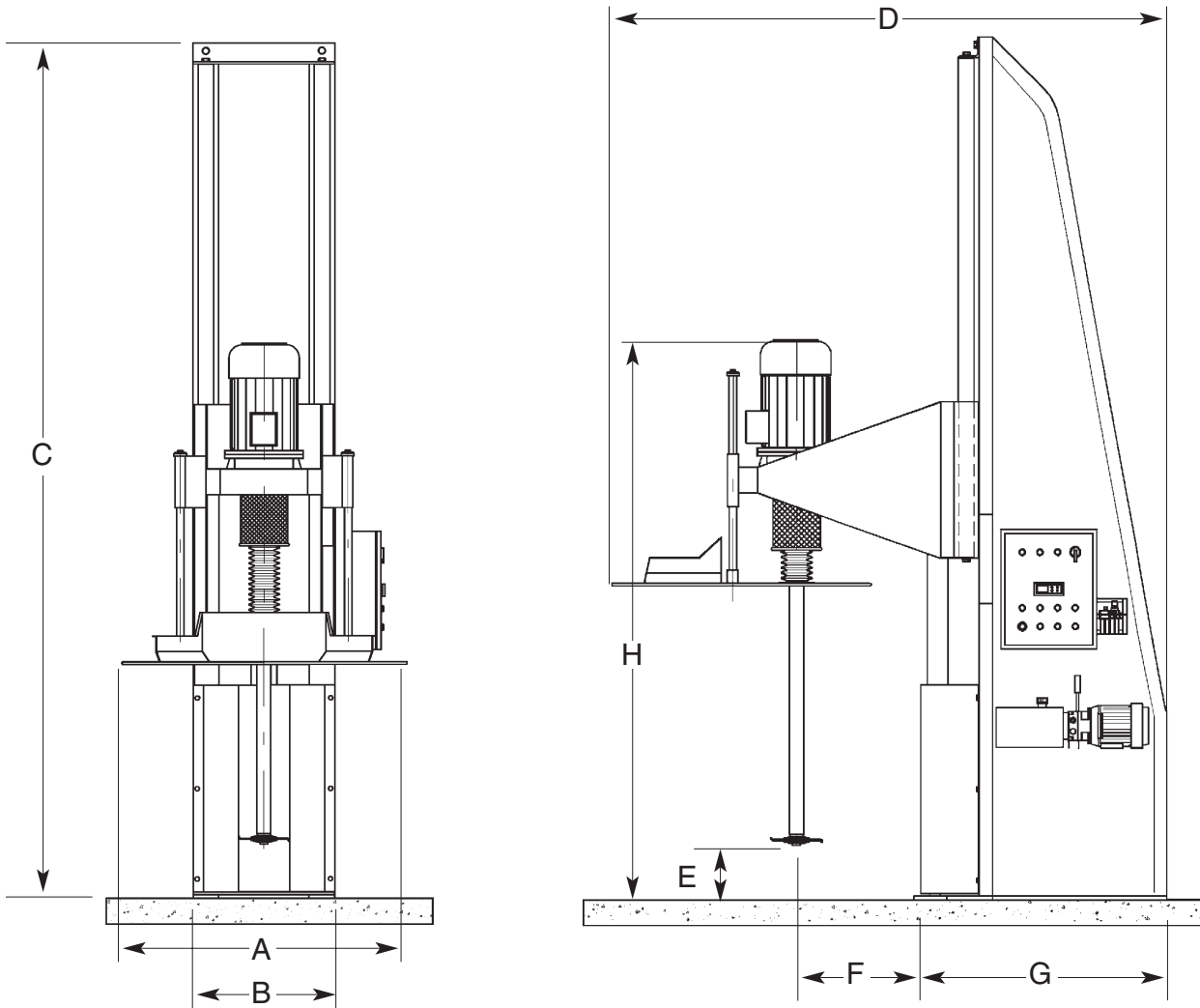


## TECHNICAL DATA

| Model    | Main motor power |      | Head lifting motor power |    | Revolutions per minute | Cowles impeller diameter (mm) | Agitation max. useful volume (lt) | Dispersion max. useful volume (lt) |
|----------|------------------|------|--------------------------|----|------------------------|-------------------------------|-----------------------------------|------------------------------------|
|          | Kw               | Hp   | Kw                       | Hp |                        |                               |                                   |                                    |
| ADP 5    | 4                | 5    | 1,5                      | 1  | 0-1450                 | 180                           | 300                               | 100                                |
| ADP 7,5  | 5,5              | 7,5  | 1,5                      | 1  | 0-1450                 | 200                           | 400                               | 130                                |
| ADP 10   | 7,5              | 10   | 1,5                      | 1  | 0-1450                 | 210                           | 700                               | 200                                |
| ADP 12,5 | 10               | 12,5 | 1,5                      | 1  | 0-1450                 | 250                           | 900                               | 250                                |
| ADP 15   | 11               | 15   | 1,5                      | 1  | 0-1450                 | 250                           | 1000                              | 300                                |
| ADP 20   | 15               | 20   | 1,5                      | 1  | 0-1450                 | 270                           | 1200                              | 400                                |

DATA ARE PROVIDED FOR INDICATIVE PURPOSES ONLY

## DIMENSIONS



| Model    | Machine dimensions (mm) |     |      |      |             |     |     |             |
|----------|-------------------------|-----|------|------|-------------|-----|-----|-------------|
|          | A                       | B   | C    | D    | E (min/max) | F   | G   | H (min/max) |
| ADP 5    | 1100                    | 550 | 3180 | 2150 | 150/1300    | 475 | 960 | 2300/3450   |
| ADP 7,5  | 1100                    | 550 | 3180 | 2150 | 150/1300    | 475 | 960 | 2300/3450   |
| ADP 10   | 1100                    | 550 | 3180 | 2150 | 150/1300    | 475 | 960 | 2300/3450   |
| ADP 12,5 | 1100                    | 550 | 3180 | 2150 | 150/1300    | 475 | 960 | 2300/3450   |
| ADP 15   | 1100                    | 550 | 3180 | 2150 | 150/1300    | 475 | 960 | 2300/3450   |
| ADP 20   | 1100                    | 550 | 3180 | 2150 | 150/1300    | 475 | 960 | 2300/3450   |

## APPLICATIONS

Varnishes, water-based paints, thick coatings, glues, mastics, sealants, cosmetic products, epoxy products, inks, packaging ink, adhesives, plastic materials