

EPM

MOBILE PNEUMO-HYDRAULIC PRESS-PLATE EXTRUDER

EPM pneumo-hydraulic press-plate extruders are equipment for the extrusion of medium and medium-high viscosity products directly from the production tank to the filling line, thanks to a pressure on the product of 3/4 bars. The mobile structure of the machine, that has to be positioned on the vessel by means of a hoist or a forklift, guarantees an easy movement of the press and an easy housing on the vessel.



ADVANTAGES

- Great strength and reliability of the components
- Easy maintenance and replacement of components highly subject to wear
- Energy saving and reduction of used oil compared to electro-hydraulic systems

TECHNICAL FEATURES

- Steel metal support structure with three self-positioning locators
- Double action hydraulic piston
- Force plate in thick carbon steel with seat for sealing ring or gasket
- Hydraulic cylinder sized for a pressure of about 3/4 bars
- Pneumo-hydraulic type pump with compressed air supply (no need for electrical connections)
- Adjustment of the product pressure through an air pressure regulating hand wheel
- Hook welded to the cylinder to facilitate lifting by means of a hoist or a forklift
- Metal protection grid
- Also available in ATEX version

ACCESSORIES

- Press-plate with AISI 304 stainless steel coating for water-based products extrusion
- Support structure with elevator for the mobile extruder lifting and positioning of the tank

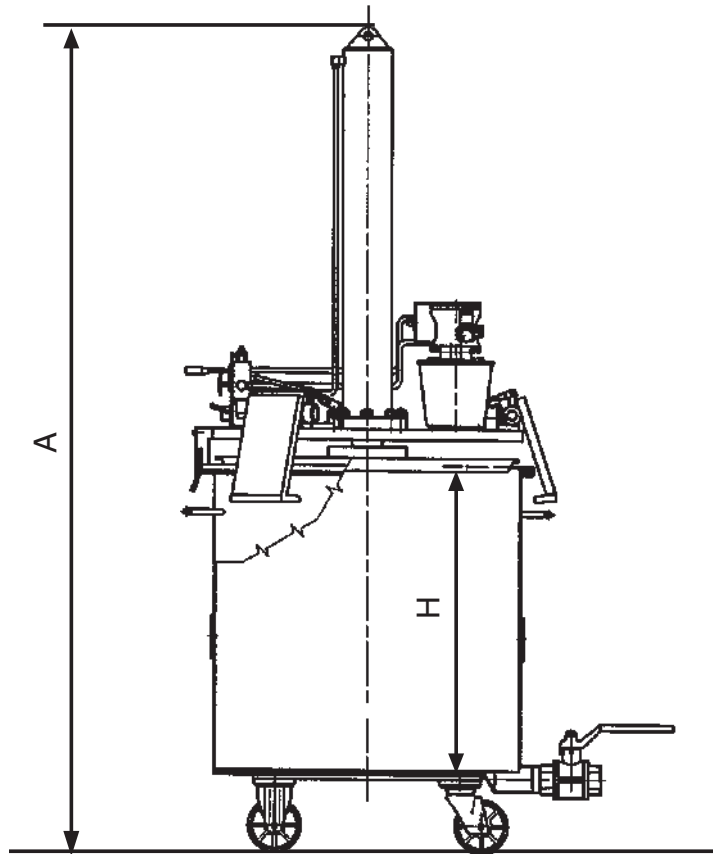
SUPPORT STRUCTURE WITH ELEVATOR



PNEUMO-HYDRAULIC TYPE PUMPING GROUP



TECHNICAL DATA



Model	Vessel diameter (mm)	Maximum pressure on product (bar)	Machine dimensions (mm)
			A
EPM 600	600	3/4	H + 1800
EPM 700	700	3/4	H + 1800
EPM 800	800	3/4	H + 1800
EPM 900	900	3/4	H + 1800
EPM 1000	1000	3/4	H + 1800
EPM 1100	1100	3/4	H + 1800
EPM 1200	1200	3/4	H + 1800
EPM 1300	1300	3/4	H + 1800
EPM 1400	1400	3/4	H + 1800
EPM 1500	1500	3/4	H + 1800

DATA ARE PROVIDED FOR INDICATIVE PURPOSE ONLY

APPLICATIONS

Products with medium-high viscosity as wall plasters, lime-based products, polyester plasters, plastic coatings, grit-blasted products